



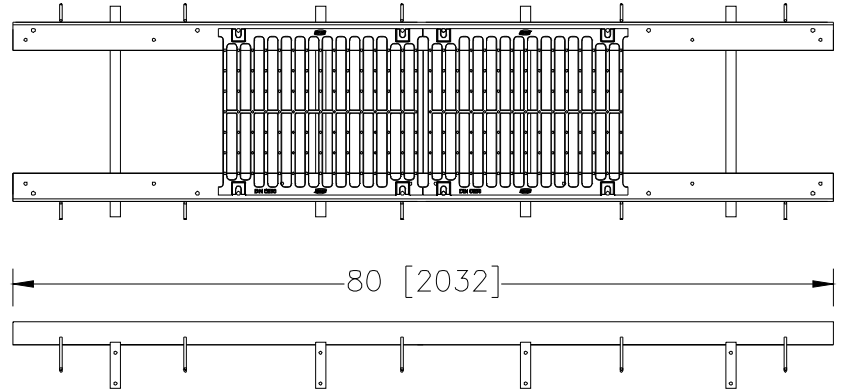
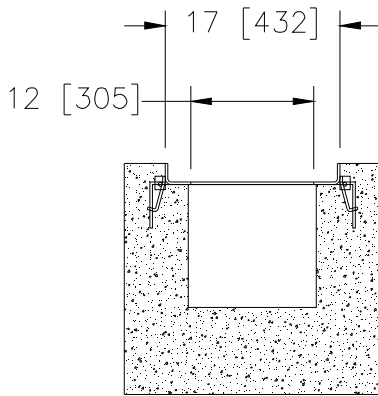
Z717

17 [732] WIDE FRAME AND GRATE SYSTEM

SPECIFICATION SHEET

TAG _____

Dimensional Data (inches and [mm]) are Subject to Manufacturing Tolerances and Change Without Notice



SPECIFYING ENGINEER IS RESPONSIBLE FOR CONCRETE ENCASEMENT AND REINFORCING BASED UPON APPLICATION AND LOCAL CODES

ENGINEERING SPECIFICATION: Zurn Z717

Frame and Grate System is 80" [2032mm] long, 17" [432mm] wide reveal and has a 12-1/2" [318mm] clear opening. Clips are attached to the frame to accommodate vertical re-bar for positioning and anchoring purposes. Frame will mechanically lock into the concrete surround every 10" [254mm] and will be provided with the standard DGC grate, Zurn 16-1/4" [413mm] wide Ductile Iron Slotted Grate, which locks down to the frame with 4 contiguous bolt anchors per grate. Ductile Iron conforms to ASTM specification A536-84, Grade 80-55-06. Ductile Iron grate is rated class C per the DIN EN1433 top load classifications. Supplied in 20" [608mm] nominal lengths with 63/64" [25mm] wide slots, and 1-3/4" [44mm] bearing depth. Grate has an open area of 86.7 sq. in. per ft. [183515 sq. mm per meter]. The 1/4" [6mm] thick Carbon Steel Frame Assembly conforms to ASTM specification A36 with 10 - 4" [102mm] long concrete anchors per 80" [2032mm]. The frame is supplied with a powder coated finish. All welds must be performed by a certified welder per ASTM standard AWS D1.1. Frames are produced in the USA.

PREFIX OPTIONS (Check/specify appropriate options)

Z 80 [2032] Heavy-Duty Frame with Anchor Studs*

SUFFIX OPTIONS (Check/specify appropriate options)

Frame Options

- CBF Black Acid Resistant Coated Top Frame
- GFA Galvanized Frame Assembly
- SF Type 304 Stainless Steel Top Frame (316 By Request)

Grate Options

- DCC Ductile Iron Solid Cover-Class C
- DCE Ductile Iron Solid Cover-Class E
- DGC Ductile Iron Slotted Grate-Class C*
- DGF Ductile Iron Slotted Grate-Class F
- GDC Galvanized Ductile Iron Grate-Class C
- GDF Galvanized Ductile Iron Grate - Class F
- GG Fiberglass Grate
- HPD Heel-Proof Longitudinal Ductile Iron Grate - Class C

Miscellaneous Options

- RC Rebar Clip (Set of 2)
- VP Vandal-Proof Lockdown Assembly

MADE in the U.S.A.

- ADA-USA Meets Americans with Disabilities Act Requirements - Class C
- DGC-USA Ductile Iron Slotted Grate-Class C
- DGF-USA Ductile Iron Slotted Grate-Class F
- GADA-USA Galvanized Ductile Iron ADA Slotted Grate - Class C
- GDC-USA Galvanized Ductile Iron Grate-Class C
- GDF-USA Galvanized Ductile Iron Grate - Class F

* Regularly furnished unless otherwise specified.

Zurn Industries, LLC | Specification Drainage Operation
 1801 Pittsburgh Avenue, Erie, PA U.S.A. 16502 · Ph. 855-663-9876, Fax 814-454-7929
 In Canada | **Zurn Industries Limited**
 3544 Nashua Drive, Mississauga, Ontario L4V 1L2 · Ph. 905-405-8272, Fax 905-405-1292
www.zurn.com

Supplied By:

877-903-7246
www.trenchdrainsupply.com

Rev. G
 Date: 1/29/2015
 C.N. No. 132168
 Prod. | Dwg. No. Z717